



megaspin 630

DIGITAL AUTOMATIC
BALANCING MACHINE
FOR WHEELS
UP TO 200 KG

AUTO
SENSE

LASER
LINE

↑
LIFTING
SPINDLE
↓



The new balancing machines for trucks have been developed paying particular attention to the safety of the operator and to the easiness of use, taking into account also ergonomics and technological innovation.

Digital panel

Digital panel with simple and intuitive interface. The software supports various correction programs useful to the operator, such as: Split, to hide the weights behind the spokes, OPT (unbalance optimization) and ALU for infinite correction positions with adhesive weights.

Large weight holder

The weight holder made with rotational moulding has been studied in detail to allow the operator to make the most of all the available space. The special compartments allow resting pliers, counterweights, cones, etc. in full safety.



megaspin

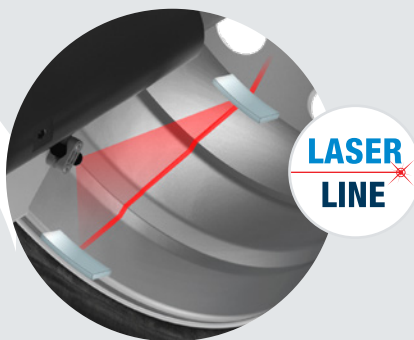
megaspin 630

DIGITAL AUTOMATIC
BALANCING MACHINE
FOR WHEELS UP TO 200 KG



AUTOSENSE sonar

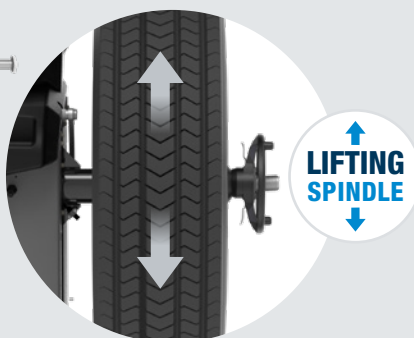
The dimensions of the wheels to be balanced are acquired through the automatic gauge, which measures distance and diameter of rims up to 32" and through the AUTOSENSE sonar which determines the width of iron rims.



Laser line

The adhesive correction weights are position with great accuracy thanks to the laser line at "6 o'clock" position which identifies the application point of the weight and to the electric brake that allows locking the wheel in the correction position.

LIFTING SPINDLE



Built-in lift

The innovative spindle shaft that lifts and lowers acts as a lift built in the machine body, helping the operator during wheel loading and unloading. In fact, the wheel is loaded with no effort thanks to the lowest sliding trolley available on the market (59 mm) and is locked when it is still on the ground, ensuring a perfect centring in full safety conditions for the operator.

Standard accessories



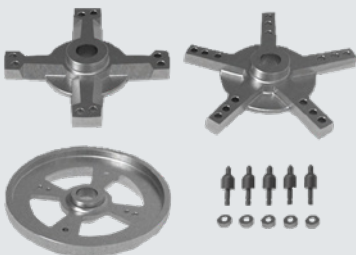
Standard equipment composed of quick nut with spacer ring, pincer-hammer, 300 g counterweight and WDC gauge

Optional accessories



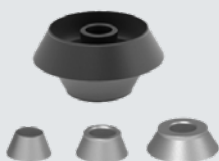
IV/V CONES-GG-G40 KIT

To centre truck or bus wheels with a central hole of 202/221/281 mm Ø. Made up of IV and V cones, G40 disc and GG ring



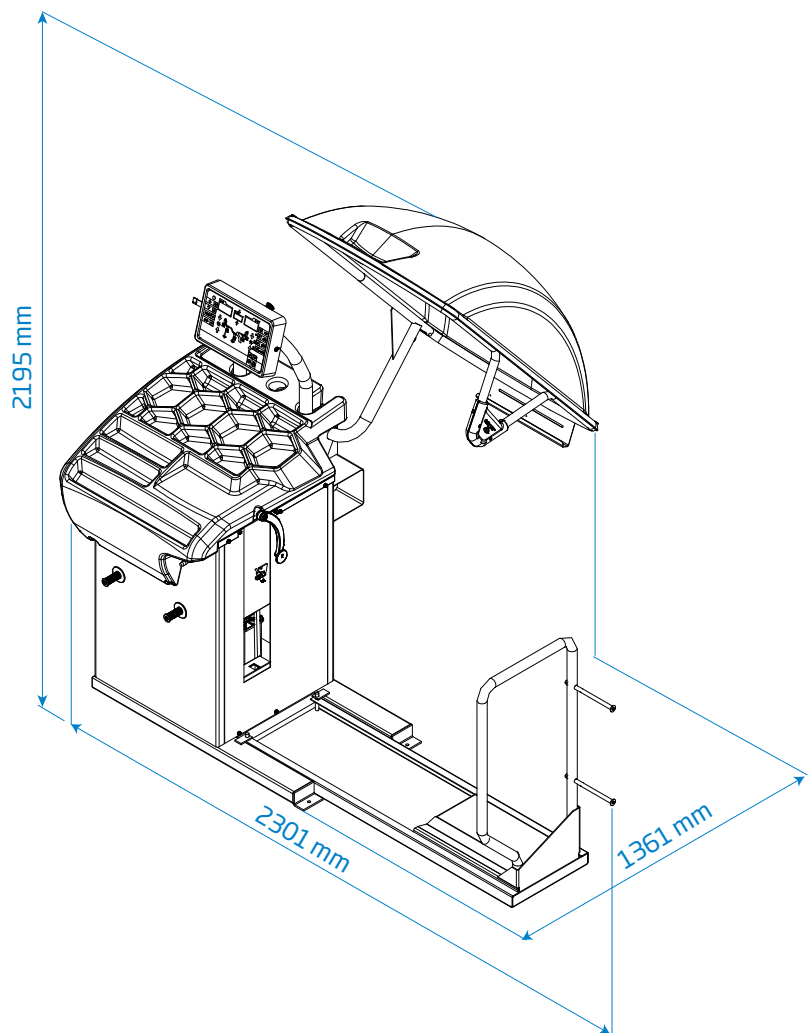
SR215

To centre wheels with 8 holes on 275/285.75 mm Ø and with 10 holes on 225/285.75/335 mm Ø. Supplied with centring adaptor, 5 and 4 armed spiders, stud bolts and screws



CAR ADAPTOR KIT

For wheels with a central hole of 45-194 mm Ø. Consists of 4 cones



Technical Data

Single phase power supply	230V/1ph/50 hz
	115V/1ph/60 Hz
Max. absorbed power	1,1 kW
Balancing speed	130 rpm (for car) / 80 rpm (for truck)
Measuring cycle for car/truck wheel	8 ÷ 20 s
Measurement uncertainty	± 0.5 g
Resolution	1 g (for car) / 10 g (for truck)
Average noise	< 70 dB (A)
Rim width setting range	1.5" ÷ 20" / 40 ÷ 510 mm
Rim diameter setting range	10" ÷ 30" / 265 ÷ 765 mm
Min./Max. compressed air pressure	8 ÷ 12 kg/cm ² / ~ 0.8 ÷ 1.2 MPa
	~ 8 ÷ 12 bar / ~ 120 ÷ 165 psi
Max. wheel weight	200 kg
Max. wheel diameter	1380 mm
Machine weight	230 kg



HOFMANN MEGAPLAN GmbH
 Hüttenstrasse 7 - 67550 Worms - Germany
 T +49 06242 913 6666 - hm-mail@hofmann-megaplan.com
www.hofmann-megaplan.com